

Process Indicator X2

Most reliable and cost effective product for Weighing & process automation



! Features:

- Accuracy 6000 d (acc. to OIML R76 Class 111)
- High-speed conversion with response times from 5 ms
- Software Calibration
- Serial Interface RS232, RS485 for Printer Remote Display Modbus RTU
- 3 digital In- and 3 Outputs for limit function
- Transflective LCD Display, back lighted
- Panel Mount, Field Mount, Table Top, Zone 2/22 Version available

! Optional Interfaces:

- Analog output, 0|4-20 mA, 0-10 V D.C.
- Fieldbus: Profibus-DP, DeviceNet, Ethernet IP and Profinet IO



The new X2 Process Indicator provides an easy and reliable solution for process hopper scales with strain gauge load cells in process automation applications

- ! The flexibility of the instrument with different options as serial and digital interfaces or fieldbus allows a simple integration into automation systems. Also a high resolution 0|4-20 mA analogue output card is available
- ! The LCD weight display with 25 mm characters is back lighted and transflective. It allows a good readability even under difficult conditions as e.g. direct sunlight. Three freely configurable digital In- and Outputs can control simple process functions, like limits
- ! The X2 Process Indicator is available in a robust aluminium housing for front panel mounting and stainless steel housing for field and table top mounting. Utmost interference suppression and long term stability guarantees optimum use in harshest environments
- ! The high-quality Sense-amplifier supports 4 and also 6 wire Load Cells. This allows connections over long distances without losing accuracy. Additional security guarantees the fully galvanically isolated sensor input circuit and supply from supply voltage and all in-|output circuits

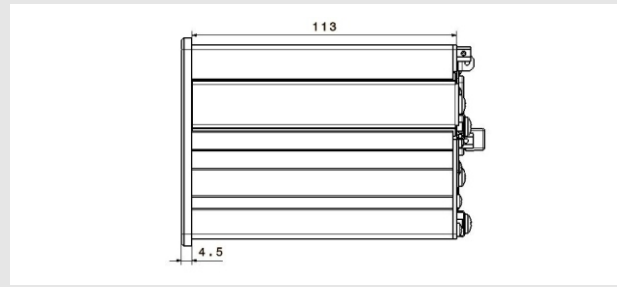
Technical Data

Power Supply AC version	
Supply voltage	100 V - 240 V AC $\pm 10\%$ / - 15% 50 - 60 Hz
Max. power consumption	16VA / 8W
Power Supply DC version	
Supply voltage	24 V DC $\pm 20\%$
Max. power consumption	8 W
Environmental Conditions	
Temperature range	
Ambient temperature for Stainless steel version	-10...+40 °C
Ambient temperature for panel version	-10...+50 °C
Power-on temperature	0...+40 °C
Storage/transport	-20... +70 °C
Humidity	<95%, no condensation (acc. to IEC 68-2)
Accuracy and Stability	
Accuracy class	6000 d(Cl. III) acc. to OIML R76
Min. measuring signal (OIML)	0.25 mV/V = 3 mVcorr. to 0.5 μ V/d for 6000 d
Linearity error	<0.003%
Zero stability error (TK0)	<0.05 μ V/K RTI 0,004% / 10K at 1m V/V
Span stability error (TKSpn)	<2.5 ppm/K
Sensitivity	
Sensitivity	
Input voltage (input signal + dead load)	0.5 μ V/d @ 6000d (Cl. III) OIML R76; 0...Max. 36 mV DC, symmetrical to 0
Dead load range	36 mV DC (max. input signal);
Display	
6-digit 7-segment LCD transfective display with Orange backlight	
Operating Keys	
Setup Key, Tare Set/Reset, Gross, Zero, Print & Test key	
Load Cell input	
Load cell type	Strain gauge, 6 or 4-wire connection possible
Supply voltage	12 V DC
Impedance	for up to 8 load cells of 650 Ω each or 4 load cells of 350 Ω each
Max. load	$\geq 75 \Omega$
Measuring time	
Configurable	5, 10, 20, 40, 80, 160, 320, 640, 960, 1200, 1600 ms
Filter	Selectable, 4th order (low-pass), with configurable cut-off frequency
Characteristic	Bessel, Aperiodic, Butterworth, Tschebyscheff
Housing	
Metal Housing of Aluminum with Steel LED And Steel Back	
Panel Mount Version	Dimensions: W 163xH 89.5xL 113 MM
Weight	Net 1.15 KG Delivery 2.0 KG
Table top Version	
Stainless Steel Housing with Top And Bottom Sections	
Dimensions: W 197xH 122.5xL 232 MM	
Weight	Net 2.8 KG Delivery 3.2 KG

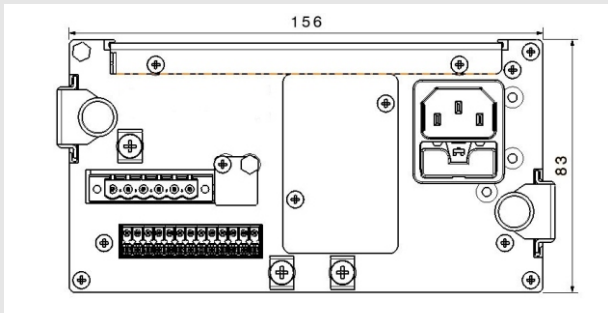
Panel Version



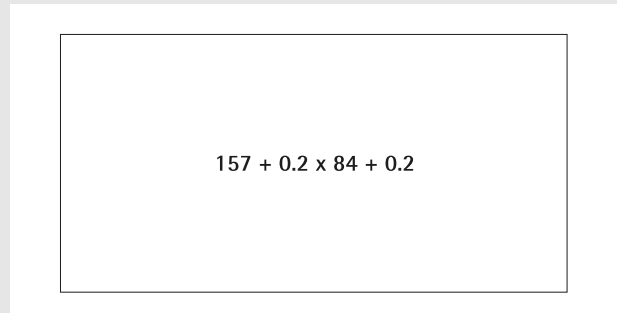
Front View *



Side View *

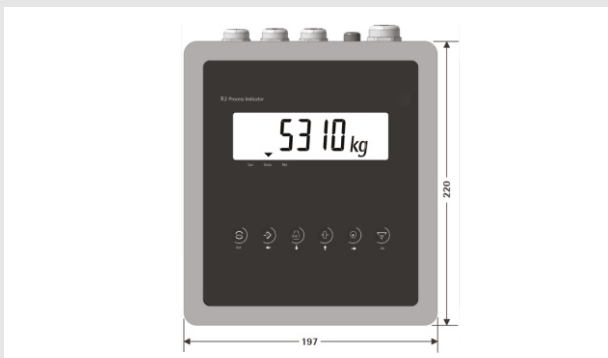


View from the back *



Panel cut-out *

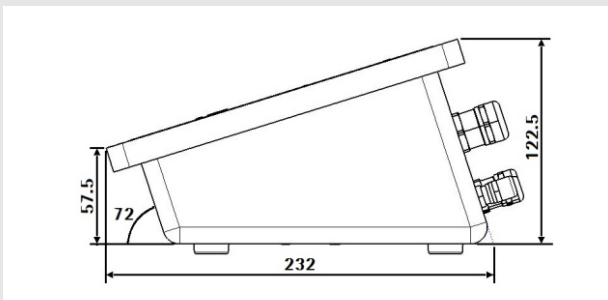
Table Top | Wall Mount Version



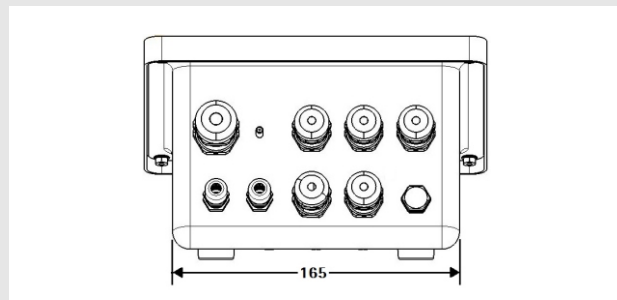
Front View *



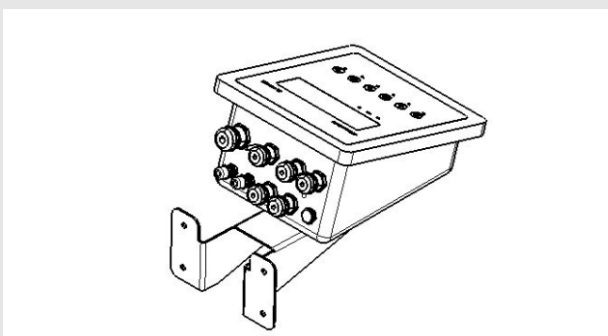
Isometric View



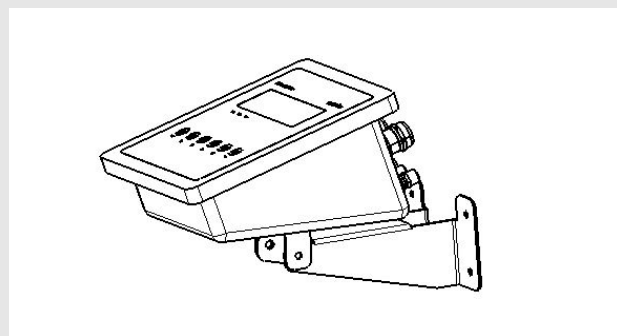
Side View *



View from the back *



Wall Mounting Accessories



* Dimensions in mm

PR5310 Ordering codes

Model No.	Variant Description	For India	Outside India
Panel Variants			
PR5310/00	Basic, 230V AC	9407 1 5310 00 1	9407 1 5310 00 2
PR5310/01	Basic, 24V DC	9407 1 5310 01 1	9407 1 5310 01 2
PR5310/20	Basic, Analog O/p, 230V AC	9407 1 5310 20 1	9407 1 5310 20 2
PR5310/21	Basic, Analog O/p, 24V DC	9407 1 5310 21 1	9407 1 5310 21 2
PR5310/23	Basic, Profibus & Analog O/p, 230V AC	9407 1 5310 23 1	9407 1 5310 23 2
PR5310/24	Basic, Profibus & Analog O/p, 24V DC	9407 1 5310 24 1	9407 1 5310 24 2
PR5310/40	Basic, Profibus, 230V AC	9407 1 5310 40 1	9407 1 5310 40 2
PR5310/41	Basic, Profibus, 24V DC	9407 1 5310 41 1	9407 1 5310 41 2
PR5310/60	Basic, Devicenet, 230V AC	9407 1 5310 60 1	9407 1 5310 60 2
PR5310/61	Basic, Devicenet, 24V DC	9407 1 5310 61 1	9407 1 5310 61 2
PR5310/80	Basic, Ethernet IP, 230V AC	9407 1 5310 80 1	9407 1 5310 80 2
PR5310/81	Basic, Ethernet IP, 24V DC	9407 1 5310 81 1	9407 1 5310 81 2
PR5310/83	Basic, Profinet I/O, 230V AC	9407 1 5310 83 1	9407 1 5310 83 2
PR5310/84	Basic, Profinet I/O, 24V DC	9407 1 5310 84 1	9407 1 5310 84 2
SS Variants			
PR5310/10	Basic, 230V AC	9407 1 5310 10 1	9407 1 5310 10 2
PR5310/11	Basic, 24V DC	9407 1 5310 11 1	9407 1 5310 11 2
PR5310/30	Basic, Analog O/p, 230V AC	9407 1 5310 30 1	9407 1 5310 30 2
PR5310/31	Basic, Analog O/p, 24V DC	9407 1 5310 31 1	9407 1 5310 31 2
PR5310/33	Basic, Profibus & Analog O/p, 230V AC	9407 1 5310 33 1	9407 1 5310 33 2
PR5310/34	Basic, Profibus & Analog O/p, 24V DC	9407 1 5310 34 1	9407 1 5310 34 2
PR5310/50	Basic, Profibus option, 230V AC	9407 1 5310 50 1	9407 1 5310 50 2
PR5310/51	Basic, Profibus option, 24V DC	9407 1 5310 51 1	9407 1 5310 51 2
PR5310/70	Basic, Devicenet option, 230V AC	9407 1 5310 70 1	9407 1 5310 70 2
PR5310/71	Basic, Devicenet option, 24V DC	9407 1 5310 71 1	9407 1 5310 71 2
PR5310/90	Basic, Ethernet IP, 230V AC	9407 1 5310 90 1	9407 1 5310 90 2
PR5310/91	Basic, Ethernet IP, 24V DC	9407 1 5310 91 1	9407 1 5310 91 2
PR5310/93	Basic, Profinet I/O, 230V AC	9407 1 5310 93 1	9407 1 5310 93 2
PR5310/94	Basic, Profinet I/O, 24V DC	9407 1 5310 94 1	9407 1 5310 94 2
Ex Variants			
PR5310/12	Basic, 24V DC, SS, Zone2/22	9407 1 5310 12 1	9407 1 5310 12 2
PR5310/32	Basic, Analog O/P, 24V DC, SS, Zone2/22	9407 1 5310 32 1	9407 1 5310 32 2
PR5310/35	Basic, Profibus & Analog O/p, SS, 24V DC, Zone2/22	9407 1 5310 35 1	9407 1 5310 35 2
PR5310/52	Basic, Profibus, 24V DC, SS, Zone2/22	9407 1 5310 52 1	9407 1 5310 52 2
PR5310/72	Basic, Devicenet, 24V DC, SS, Zone2/22	9407 1 5310 72 1	9407 1 5310 72 2
PR5310/92	Basic, Ethernet IP, 24V DC, SS, Zone2/22	9407 1 5310 92 1	9407 1 5310 92 2
PR5310/95	Basic, Profinet I/O, 24V DC, SS, Zone2/22	9407 1 5310 95 1	9407 1 5310 95 2

Note : Accessories for wall mounting unit to be ordered separately.

The technical data given serves as a product description only and should not be understood as guaranteed properties in the legal sense.

Specifications subject to change without notice.

Corporate Office:

Minebea Intec GmbH
Meiendorfer Straße 205 A
22145 Hamburg, Germany
Phone +49.40.67960.555
sales.hh@minebea-intec.com
www.minebea-intec.com

Local Office:

Minebea Intec India Private Limited
26D, K I A D B Industrial Area,
Peenya II Phase, Bengaluru-560 058.
Karnataka, India
Phone +91-80-6720 0200
contact.india@minebea-intec.com